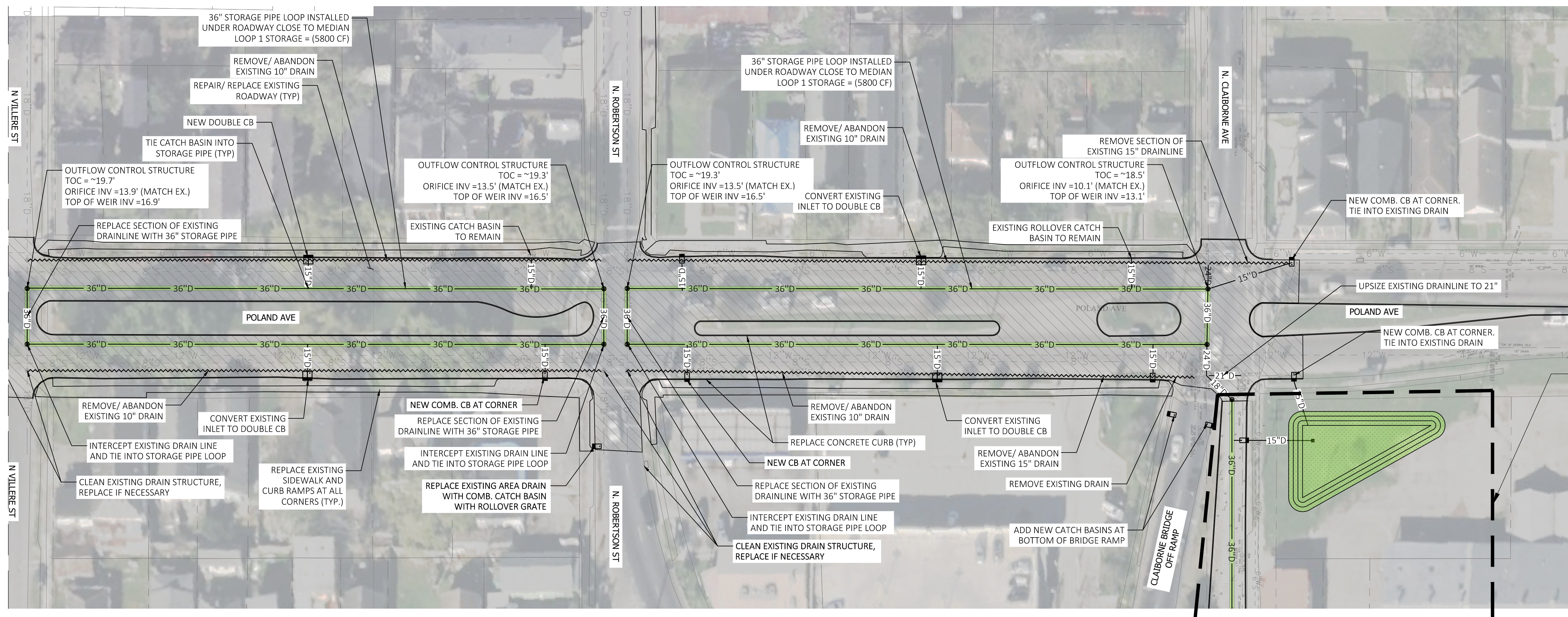


P1 POLAND AVE DRAINAGE IMPROVEMENTS - MARAIS ST TO N VILLERE ST
1 1"=40'



P1 POLAND AVE DRAINAGE IMPROVEMENTS - N VILLERE ST TO CLAIBORNE AVE
2 1"=40'

SEE CLAIBORNE AVE PLANS FOR DRAINAGE IMPROVEMENTS ADJACENT TO CLAIBORNE BRIDGE

REV. NO.	DATE	DESCRIPTION

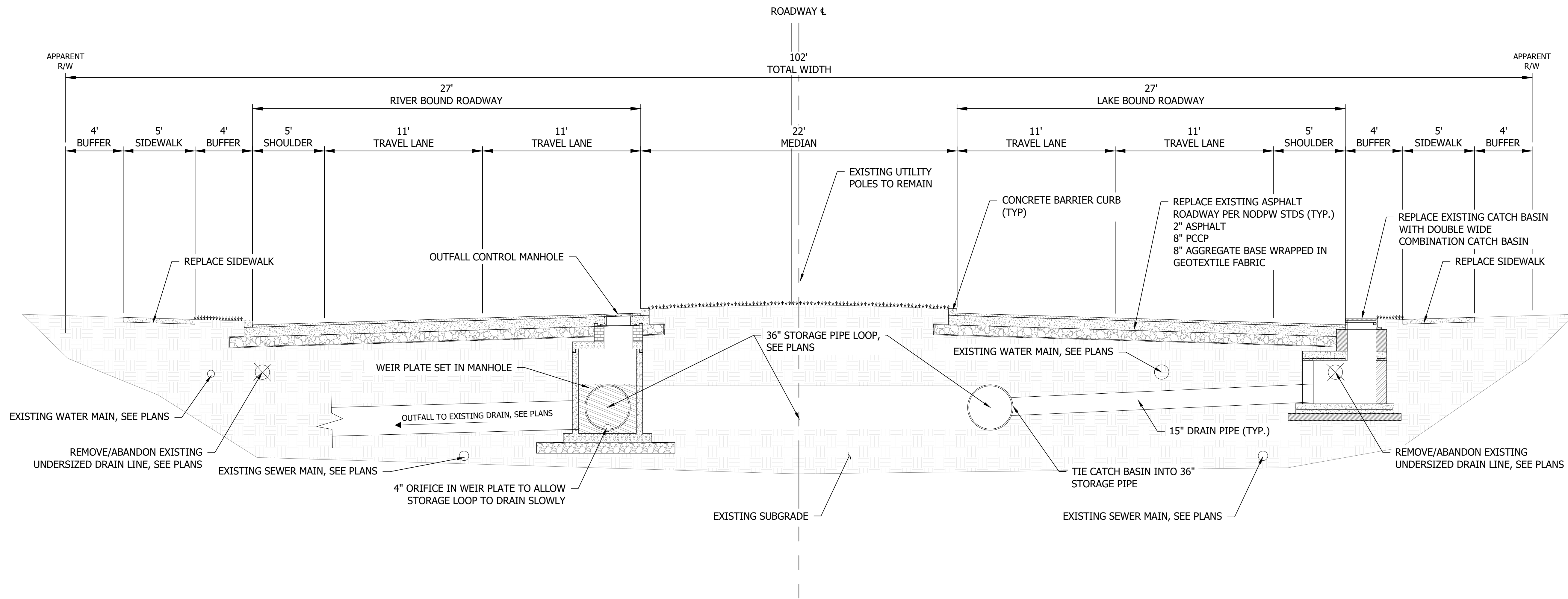
PROJECT A
POLAND AVENUE AND CLAIBORNE AVE
NEW ORLEANS, LA

DRAWN BY: JY/AV
CHECKED BY: TJ
DATE: MAY 27, 2026
ISSUE: DESIGN
DRAWING SIZE: 24"x36"

PRELIMINARY
THIS DOCUMENT IS NOT TO BE USED FOR CONSTRUCTION, BIDDING, RECORDATION, CONVEYANCE, SALES OR AS THE BASIS FOR THE ISSUANCE OF A PERMIT.

CONCEPTUAL SITE PLAN A - POLAND AVE





P2 POLAND AVE DRAINAGE IMPROVEMENTS - TYPICAL ROADWAY SECTION
P1 N.T.S.

REV. NO.	DATE	DESCRIPTION

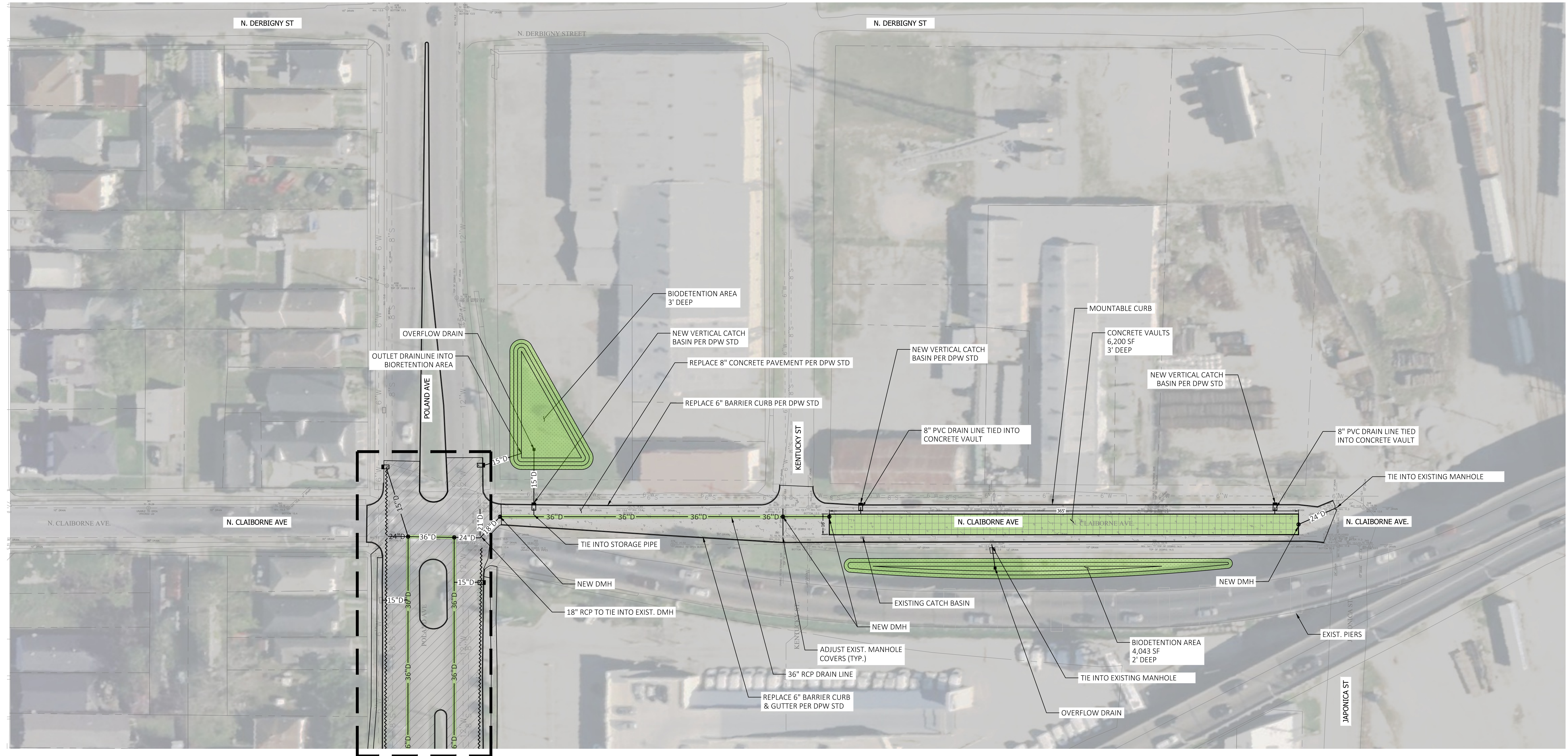
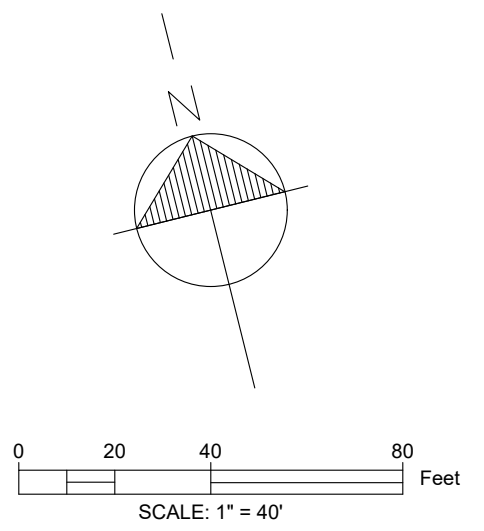
PROJECT A
POLAND AVENUE AND CLAIBORNE AVE
NEW ORLEANS, LA

DRAWN BY: JY/AV
CHECKED BY: TJ
DATE: MAY 27, 2026
ISSUE: DESIGN
DRAWING SIZE: 24"x36"

PRELIMINARY
THIS DOCUMENT IS NOT TO BE USED FOR CONSTRUCTION, BIDDING, RECORDATION, CONVEYANCE, SALES OR AS THE BASIS FOR THE OBTAINANCE OF A PERMIT.

CONCEPTUAL SITE PLAN A - POLAND AVE

SHEET:



SEE POLAND AVE PLANS FOR DRAINAGE IMPROVEMENTS ALONG POLAND AVE

REV. NO.	DATE	DESCRIPTION

PROJECT A
POLAND AVENUE AND CLAIBORNE AVE
NEW ORLEANS, LA

DRAWN BY: JY/AV
CHECKED BY: TJ
DATE: MAY 27, 2026
ISSUE: DESIGN
DRAWING SIZE: 24"x36"

PRELIMINARY
THIS DOCUMENT IS NOT TO BE USED FOR CONSTRUCTION, BIDDING, RECORDATION, CONVEYANCE, SALES OR AS THE BASIS FOR THE OBTAINANCE OF A PERMIT

CONCEPTUAL SITE PLAN A - CLAIBORNE AVE

SHEET:

C1